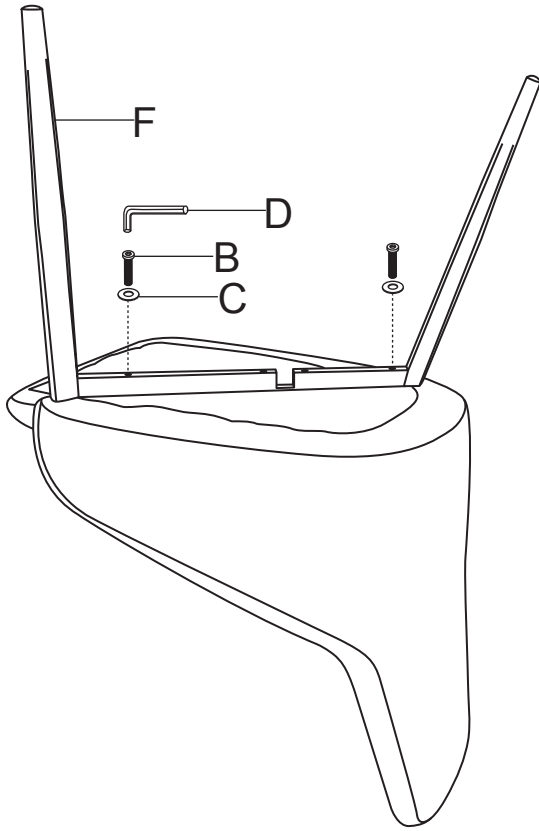
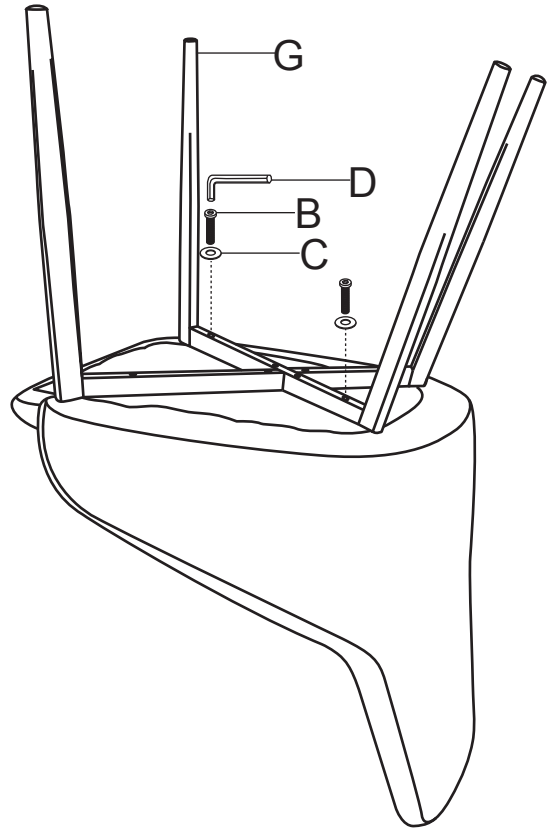


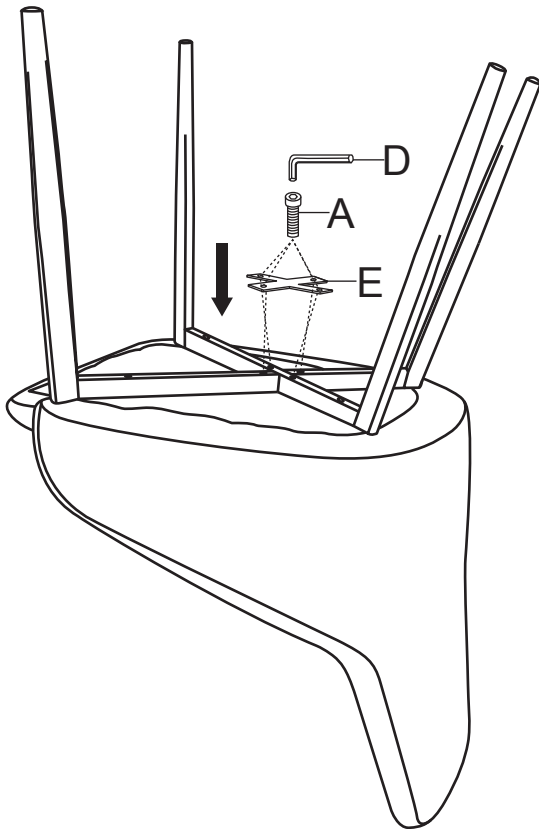
STEP1



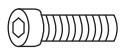
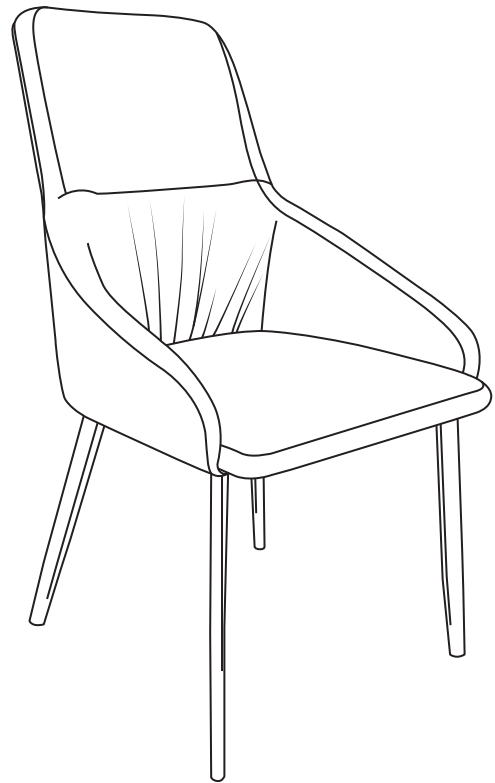
STEP2



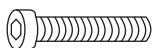
STEP3



STEP4



Ax4



Bx4



Cx4



Dx1



Ex1



Fx1



Gx1